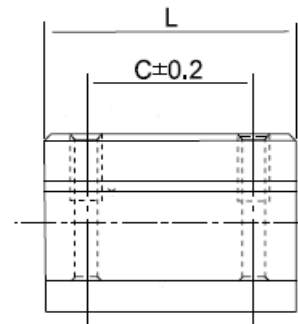
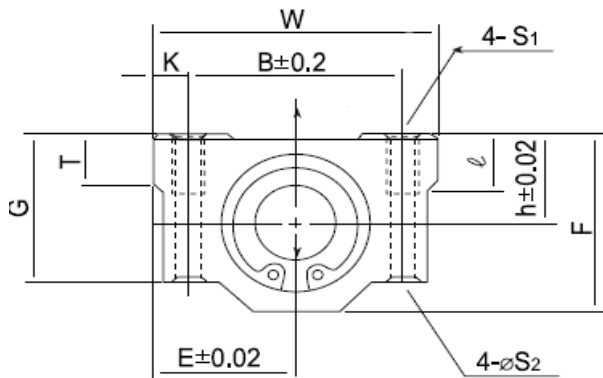
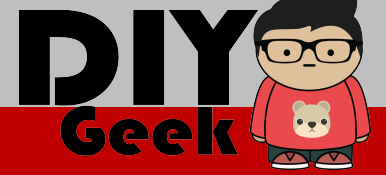




# SMA SERIES



Model Number		Main Dimensions						Mounting Dimensions					
		H	E	W	L	F	G	B	C	K	S1	S2	I
SMA8	SMA8AJ	11	17	34	30	22	18	24	18	5	M4	3.4	8
SMA12	SMA12AJ	15	21	42	36	28	24	30.5	26	5.75	M5	4.3	12
SMA16	SMA16AJ	19	25	50	44	38.5	32.5	36	34	7	M5	4.3	12
SMA20	SMA20AJ	21	27	54	50	41	35	40	40	7	M6	5.2	12
SMA25	SMA25AJ	26	38	76	67	51.5	42	54	50	11	M8	7	18
SMA30	SMA30AJ	30	39	78	72	59.5	49	58	58	10	M8	7	18
SMA40	SMA40AJ	40	51	102	90	78	62	80	60	77	M10	8.7	25